

# Residential Recessed Door Frame RDF



EMI PORTA's residential recessed door frame "RDF" significantly reduces installation time and achieves 3/4" setback clearance as per ASME 17.1-2016 code. The RDF comes pre-wired with an integrated EMDL door lock, position indicator (or car here button) and call button. Three-piece construction allows for quick, easy and reliable installation. Other options available.

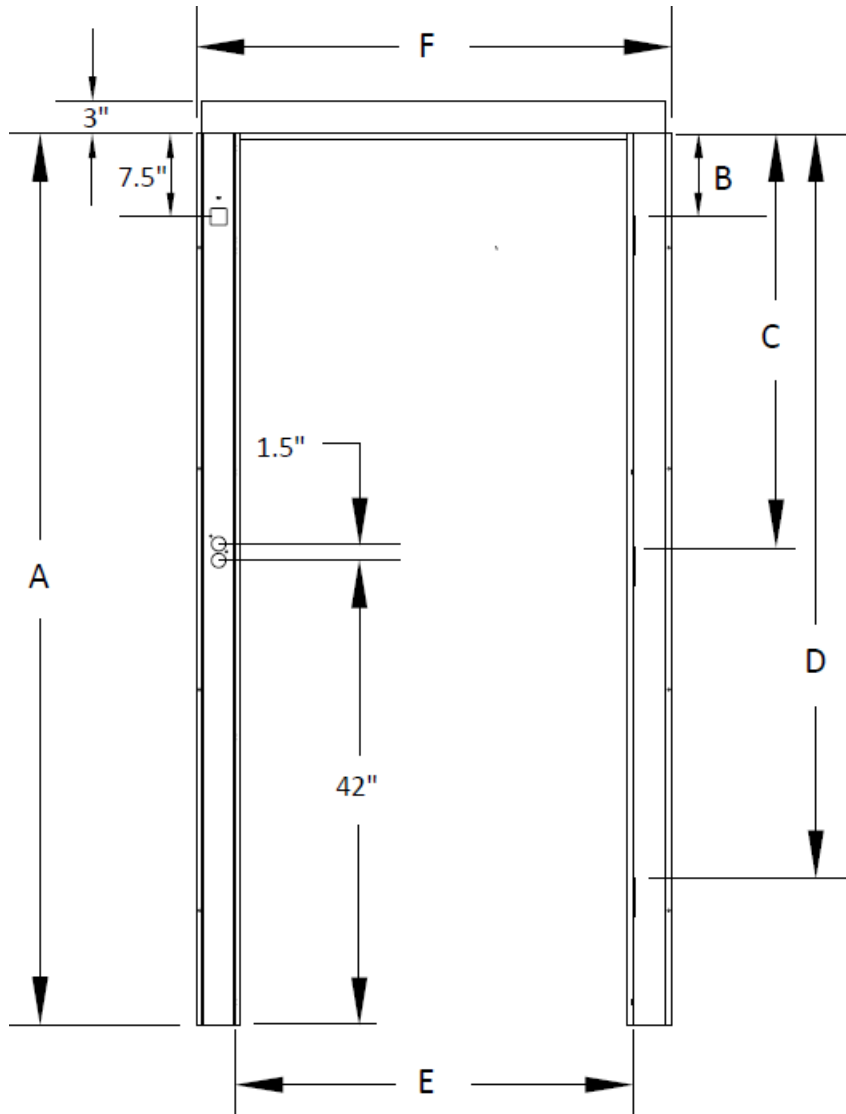
## Product Features

- **ASME 17.1-2016 section 5.3.1.7.2 code compliant (3/4" setback clearance)**
- Pre-wired with integrated door lock, position indicator (or car here button) and call button
- EMDL Door Lock: 4 Position close & lock in series or 6 Position close & lock separate circuits
- Standard stocked sizes: 30" & 36" widths and 80" & 96" heights
- Available in right or left hand openings
- Keeper plate connects to the back of the swing door
- Ball latch & integrated catch included
- Pre-drilled 3 1/2" mortise
- Primed for painting
- Custom powder coating available upon request



**EMI PORTA**  
250 Hamilton Road, Arlington Heights IL 60005  
Phone 847-593-4900 Fax 847-593-1394  
[www.emiporta.com](http://www.emiporta.com)

## Dimensions

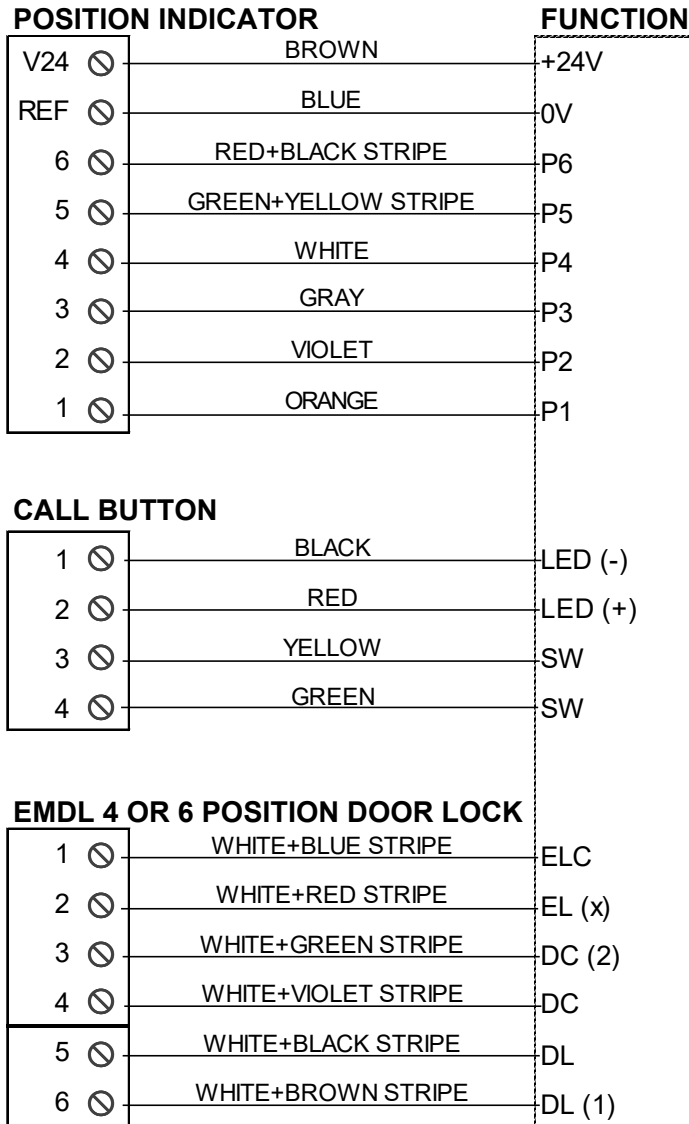


Height	A	Rough Opening	Button Holes		Top of Hinge* Positions		
			Top $\phi$	Bottom $\phi$	B	C	D
80"	80-5/8"	83-3/4"	43-1/2"	42"	7-1/2"	37-7/16"	67-3/8"
96"	96-5/8"	99-3/4"	43-1/2"	42"	7-1/2"	46-3/4"	86"

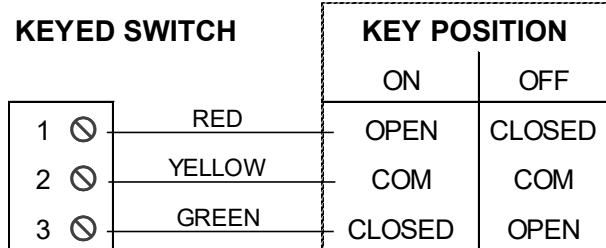
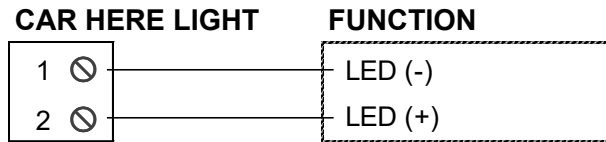
Width	E	F	Rough Opening
30"	30"	37"	36-1/4"
36"	36"	43"	42-1/4"

\*Designed to be used with 3 1/2" x 1 1/4" Hinge

## Connection Diagram



### OPTIONS IN PLACE OF POSITION INDICATOR AND OR CALL BUTTON





**EMI PORTA**

# **RDF Series Door Frames Install Instructions**

2420 Hamilton Rd.  
Arlington Heights, IL  
60005 847.593.4900  
Fax (847) 593-1394  
[www.emiporta.com](http://www.emiporta.com)



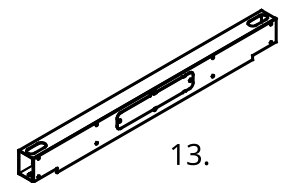
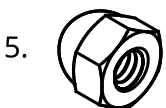
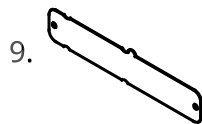
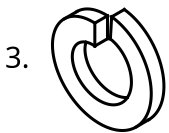
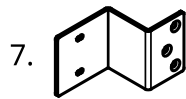
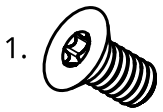
**WARNING:** This product contains a safety device and the installation should only be performed by a professional elevator technician that has a full understanding of this device's operation and function.

**Note:** If there is any doubt regarding the installation procedures, please call the factory for assistance. We are available M-F 8:00 am to 5:00 pm Central Time.

**WARNING:** Failure to comply with all instructions and "WARNING"(s) can result in a safety system compromise. This, in turn, can result in serious injury or death.□

## 1. Materials & Tools

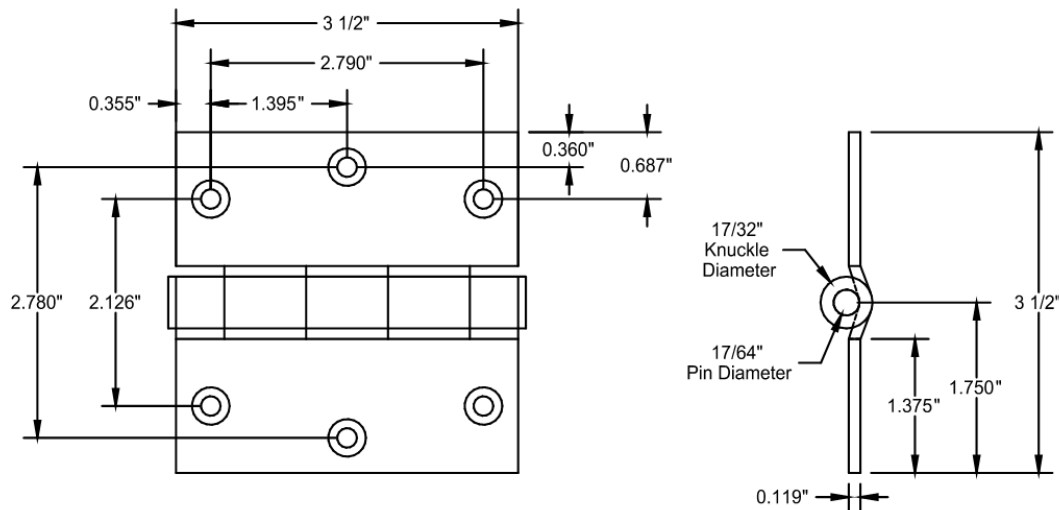
Item No.	Quantity	Description.
1	2	Flat Head Screw
2	4	Allen Head Bolt
3	4	Lock Washer
4	1	Spring Plunger
5	2	Cap Nut
6	9	Machine Screw
7	1	Door Bracket
8	1	Latch
9	3	Back Cover
10	6	Plastic Push-in Rivet
11	1	Lock Stile
12	1	Hinge Stile
13	1	Top Rail



## 2. Inspection

### REQUIRED MATERIALS

- #9 x 1-1/2 in. Star Drive Round Head Wood Screws
- Shims
- 4" extension for Star Drive
- 3-1/2" x 1-3/4" Door Leaf (door is designed to work with the following hinge profile see figure below)



### REQUIRED TOOLS

- Hammer
- Tape Measure
- Level (4 ft. minimum recommended)
- Circular Saw with metal cutting blade or hacksaw (for trimming jambs if necessary)
- Drill Driver
- 12" Square
- Phillips Screw Driver

### 1) REMOVE PACKAGING AND INSPECT DOOR

**REMOVE PACKAGING:** Remove shipping materials such as corner covers, shipping blocks or pads.

### INSPECT DOOR

- Cosmetic damage
- Product squareness (diagonal measurements must be within 1/4" difference)
- Correct product (size, color, grid pattern, handing, glazing, etc.)
- Correct Handing. To determine door swing (left or right), face the door from the side where hinges cannot be seen. Right handed doors open to the right, while left handed doors open to the left.

**If any of the above conditions represent a concern, do not install the door.**

## 2. Inspection

**REMOVE PACKAGING:** Remove shipping materials such as corner covers, shipping blocks or pads.

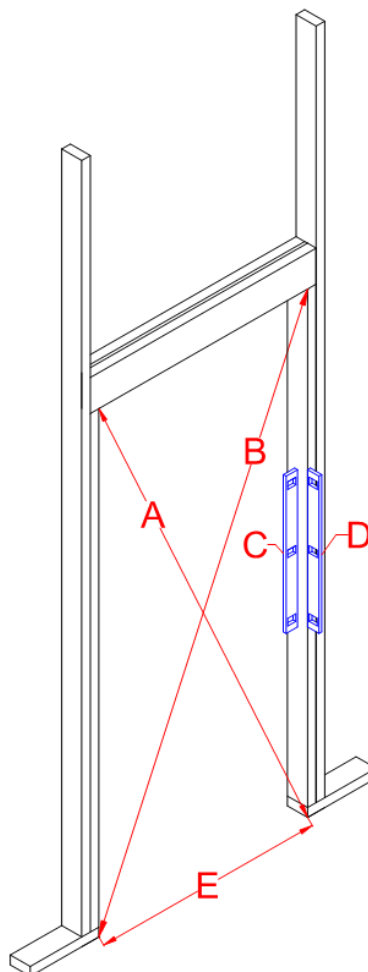
### INSPECT DOOR

- Cosmetic damage
- Product squareness (diagonal measurements must be within 1/4" difference)
- Correct product (size, color, grid pattern, handing, glazing, etc.)
- Correct Handing. To determine door swing (left or right), face the door from the side where hinges cannot be seen. Right handed doors open to the right, while left handed doors open to the left.

**If any of the above conditions represent a concern, do not install the door.**

### INSPECT ROUGH OPENING

- Verify the width and height of the rough opening is each 1/2" larger than the door frame's width/height.
- Verify the rough opening is square. The (A) and (B) measurements should be the same. Maximum allowable deviation from square is 1/4".
- Verify the rough opening is level and plumb (C) and (D). The maximum allowable deviation is 1/8".
- The rough opening sill must not be crowned or sagged (E).
- The exterior face of the rough opening must be in a single plane (E) with less than 1/8" twist from corner to corner.
- Minimum double studs should be used at all rough openings.
- The header must be supported by trimmer studs. Do not install the door unless the rough opening meets the above conditions.

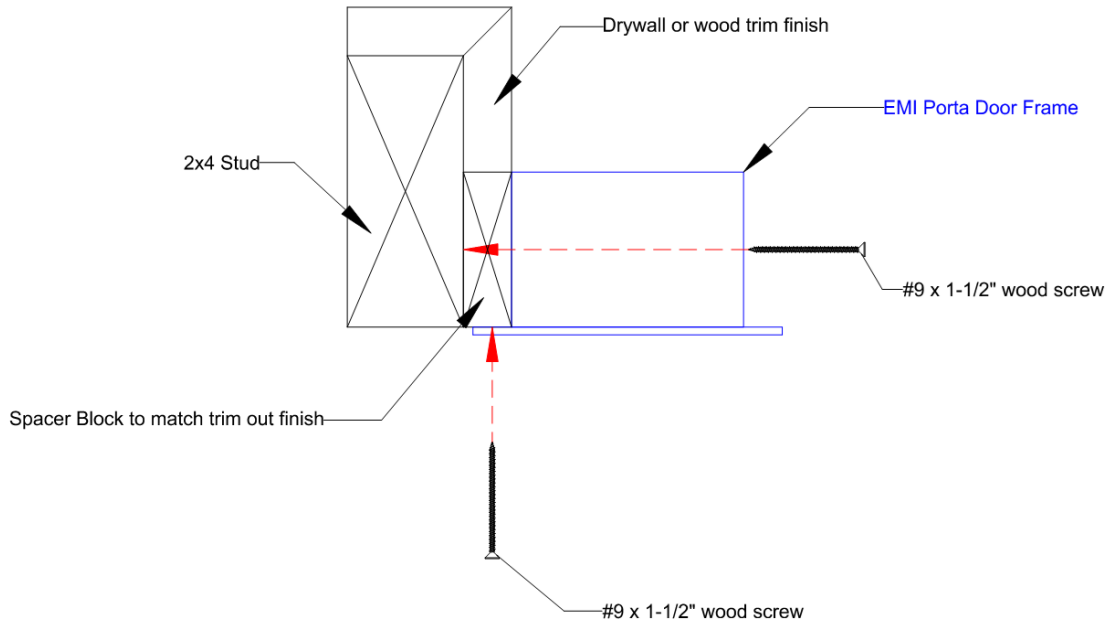


Professional assistance may be necessary to correct problems before installation.

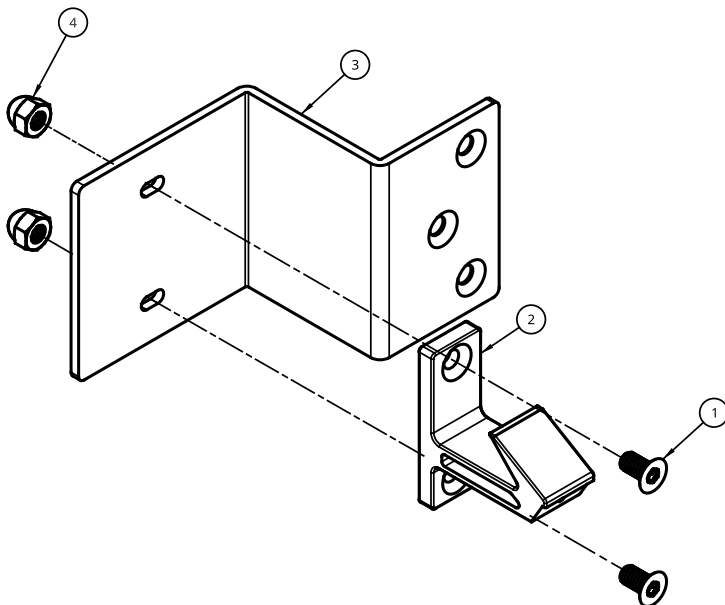
**IMPORTANT!** The door should be finished either before installation or immediately after (whichever is more convenient).

## 2. Inspection

**IMPORTANT!** If finishing with drywall or wood trim the rough opening will need to be adjusted equally on the width/height. This will allow for a seamless transition of the door frame and finish.



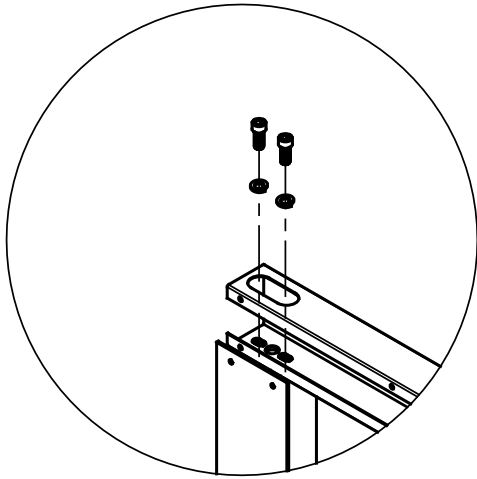
## 3. Bracket Assembly



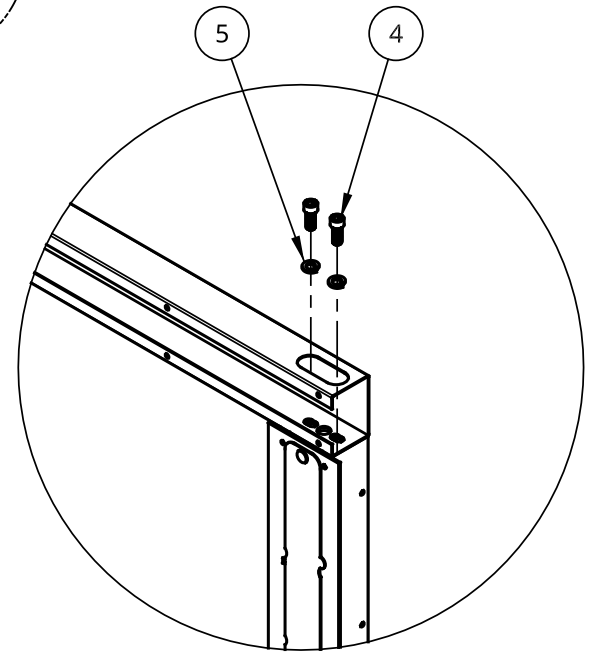
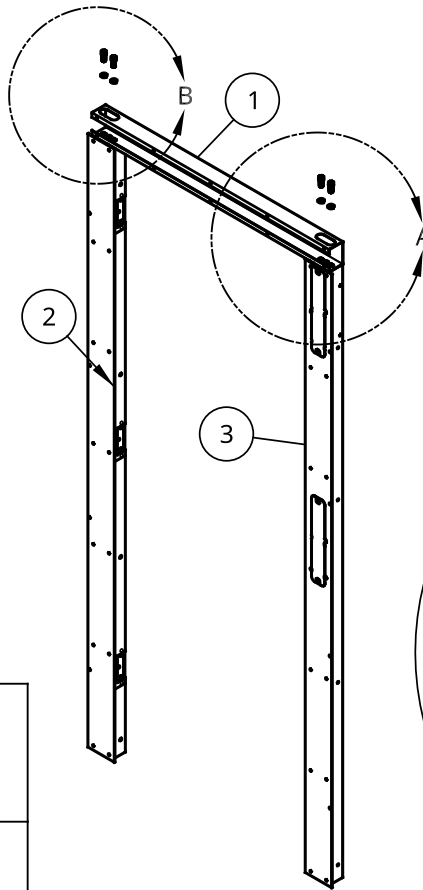
Item No.	Quantity	Description
1	2	Flat Head Screw
2	1	Latch
3	1	Door Bracket
4	2	Cup Nut



## 4. Back Cover Assembly



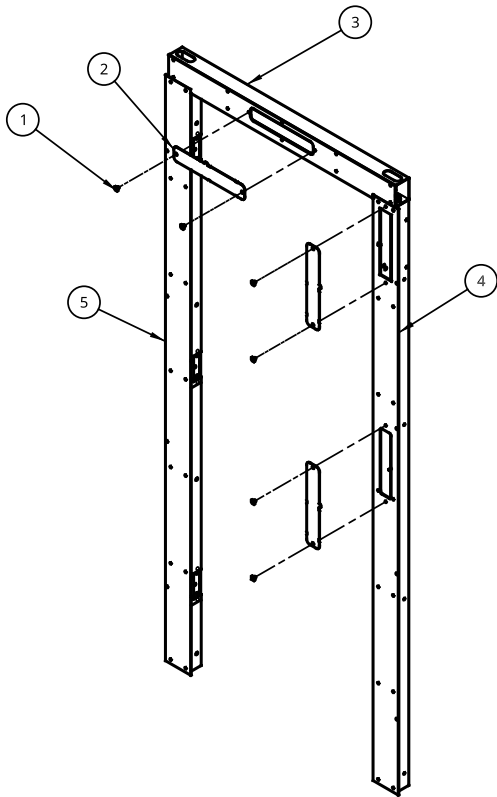
DETAIL: B



DETAIL: A

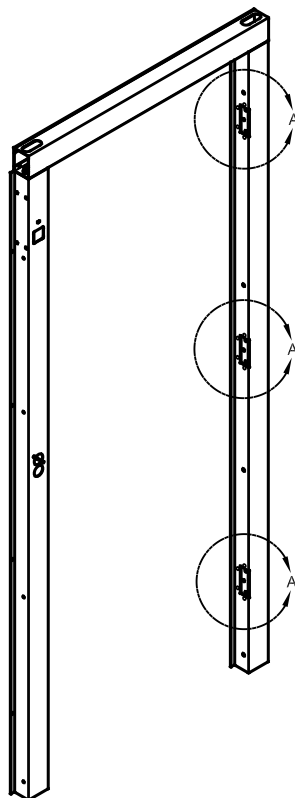
Item No.	Quantity	Description
1	1	Top Rail
2	1	Hinge Stile
3	1	Lock Stile
4	4	Allen Head Bolt
5	4	Lock Washer

## 5. Back Cover Assembly

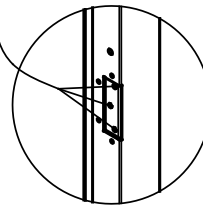


Item No.	Quantity	Description
1	6	Plastic Push-in Rivet
2	3	Back Cover
3	1	Top Rail
4	1	Lock Stile
5	1	Hinge Stile

## 6. Hinge Assembly



NOTE: MUST USE 10-24 FLAT HEAD MACHINE SCREW TO ASSEMBLE HINGE, QTY (9).



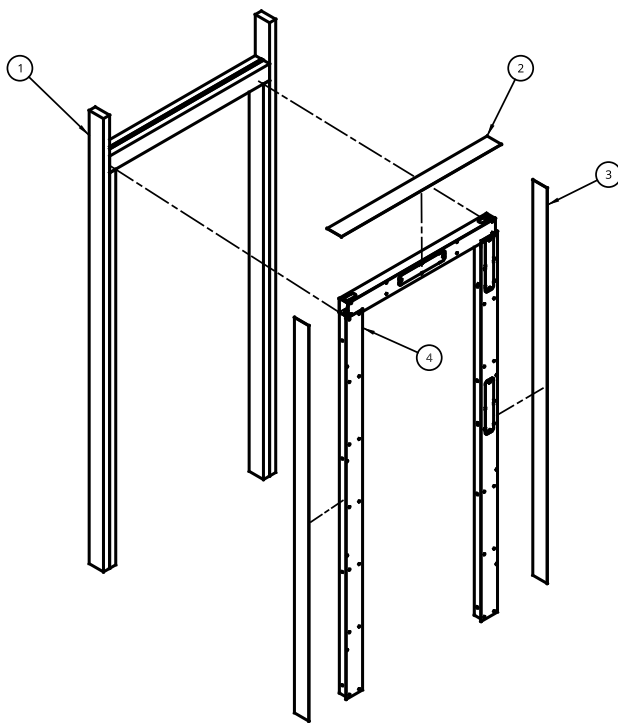
DETAIL A

## 7. Door Frame Assembly

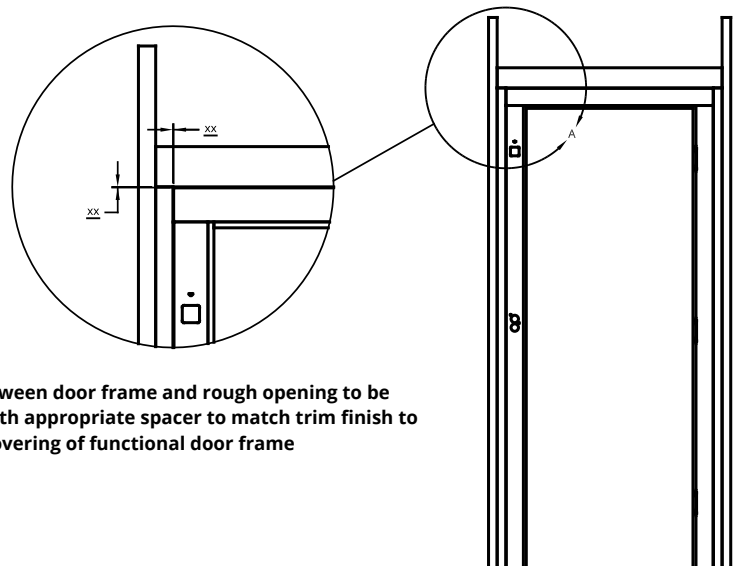
### 3) INSTALL DOOR

**WARNING!** To avoid injury, use at least two people to install. Adequately support the door until completely fastened.

1. Door frames extend below the slab to allow for different floor heights. The jambs can be trimmed as needed before beginning installation, however, make sure to leave adequate space to allow air to pass under the door according to ventilation codes.
2. Position the door unit into the opening and level the hinge side of the jamb. Use shims fastened through the jamb with #9 x 1-1/2 in. Star Drive Round Head Wood Screws from the top and from the bottom of the jamb to level and temporarily secure in place.
3. Level the latch side of the jamb in the same manner as the hinge jamb. Ensure the jamb is not twisted and that the spacing between the jamb and door is uniform on all sides. Adjust the latch side of the jamb as necessary.
4. Re-check for square, level and even spacing around the door. Screw securely into place through the screw holes located on the jambs, shims and into the studs.



Part No.	Part Name	Quantity	Description
1	Rough Opening	1	Provided By Others
2	Top Spacer	1	Provided By Others
3	Sides Spacer	2	Provided By Others
4	Door Frame	1	Provided By EMI PORTA



Gap between door frame and rough opening to be filled with appropriate spacer to match trim finish to avoid covering of functional door frame