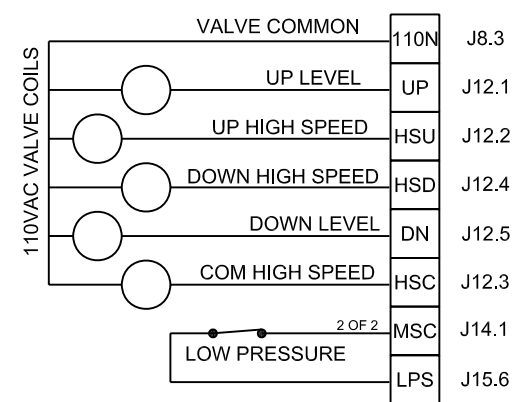
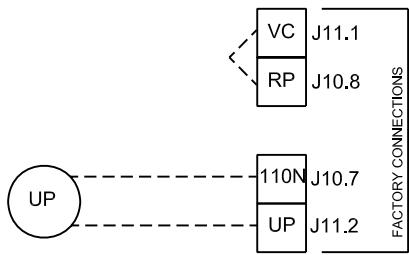
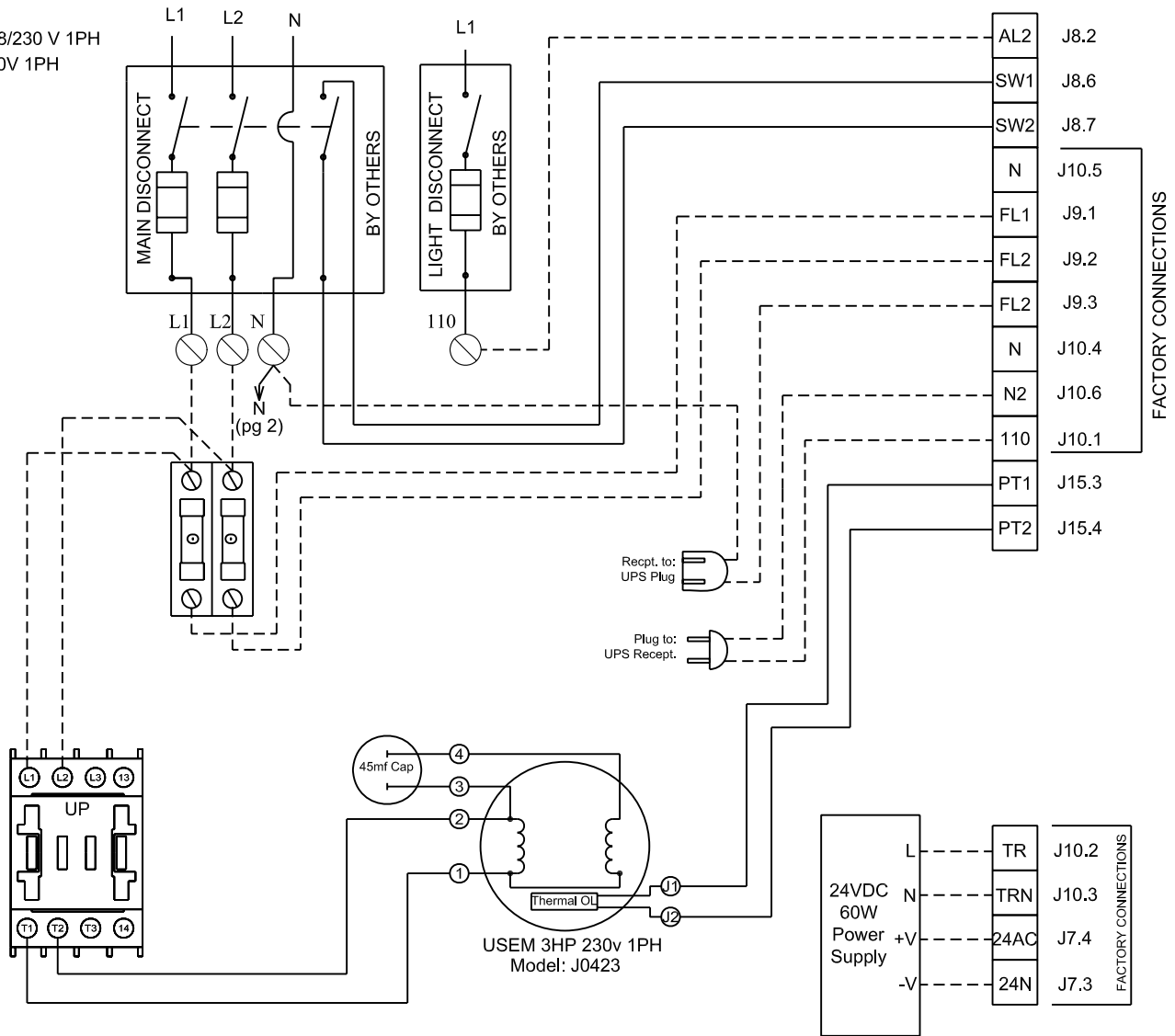


L1 to L2 = 208/230 V 1PH
 L2 to N = 120V 1PH



Controller	Blain EV	CEMCO	GMV	MINI MAX
UP	A	NONE	VMPS	US
UP HS	B	ULS	NONE	NONE
COM HS	NONE	NONE	VML	HS
DN HS	C	DMS	NONE	NONE
DN	D	DLS	VMD	DL

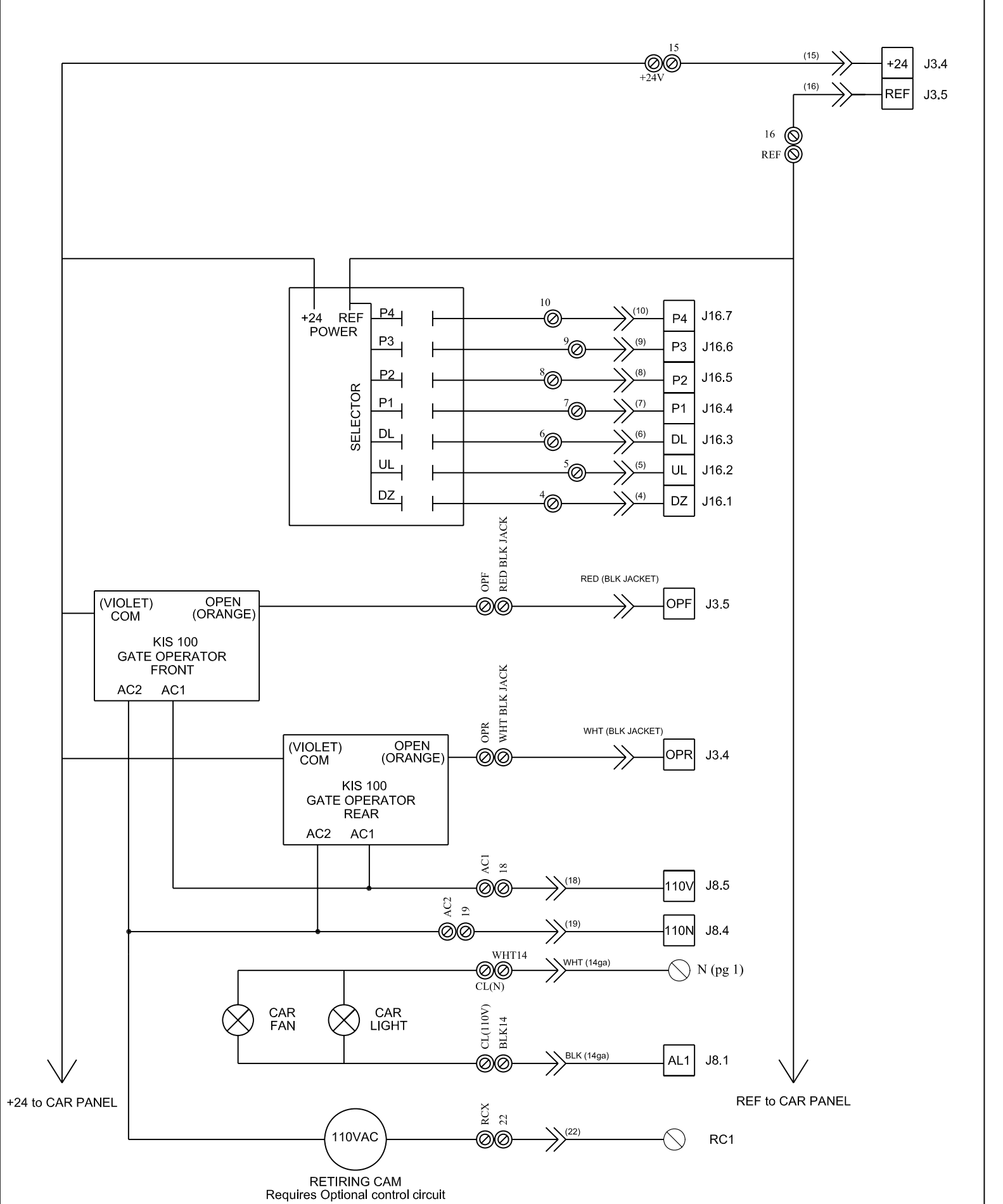
FIELD CONNECTED WIRE

FACTORY CONNECTED WIRE

J10.2 = TERMINAL BLOCK 10, TERMINAL 2

Hydro Single Contactor (PN 4M2H2)

Electro-Mech Industries		FILE NAME	HOOK UP - FLD
A	Residential controller MACHINE ROOM		Rev.:
Modification date: 2-15-13		SHEET	1 OF 4



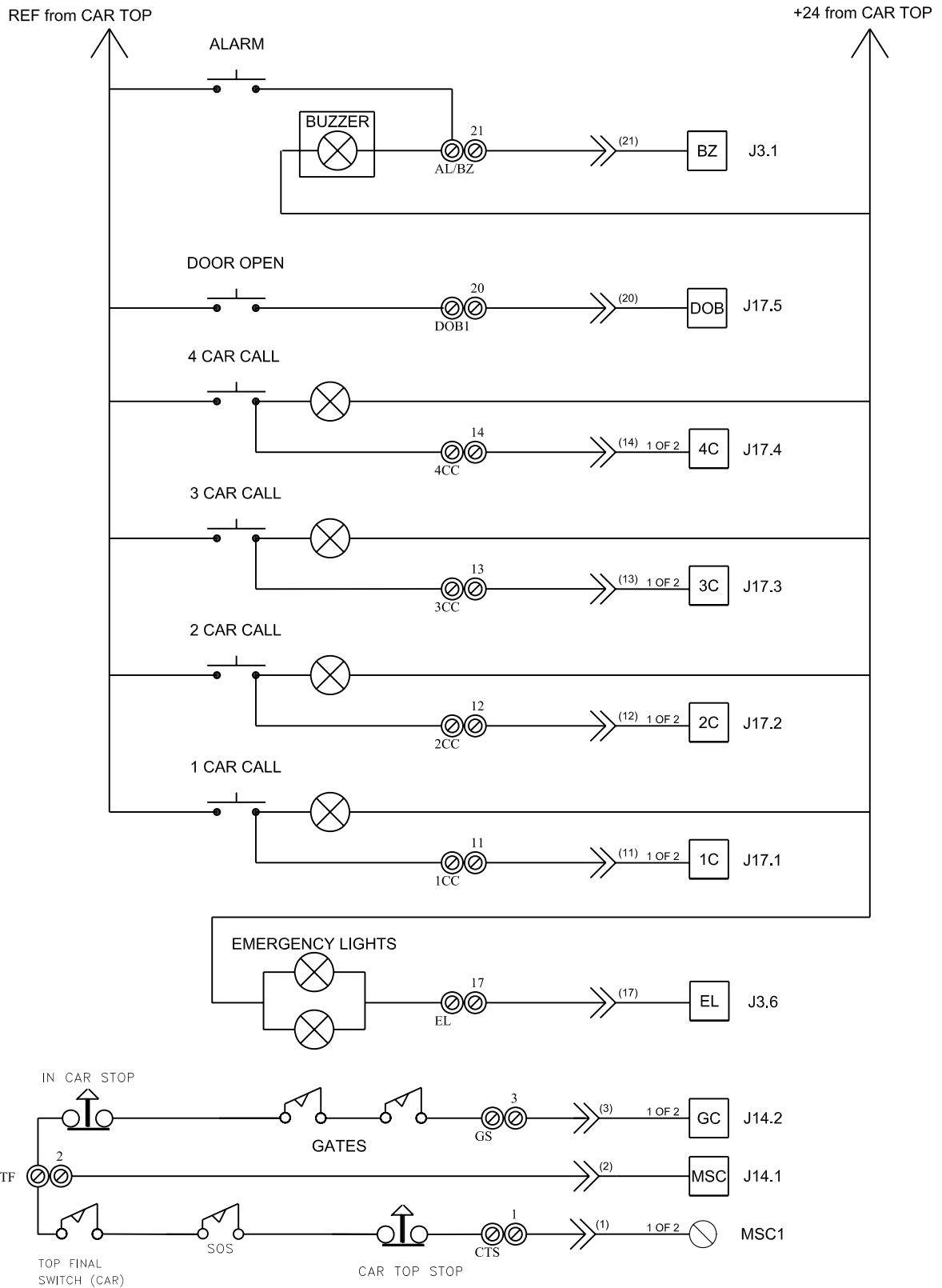
AL1 = LOGIC BOARD TERMINAL

⊗ = CONTROLLER SCREW TERMINAL

⊙ = EMI CAR TOP BOX TERMINAL

J10.2 = TERMINAL BLOCK 10, TERMINAL 2

Electro-Mech Industries		FILE NAME	HOOK UP - FLD
A	Residential controller CAR HOOK UP		Rev.: 1
Modification date: 2-15-13		SHEET 2	OF 4



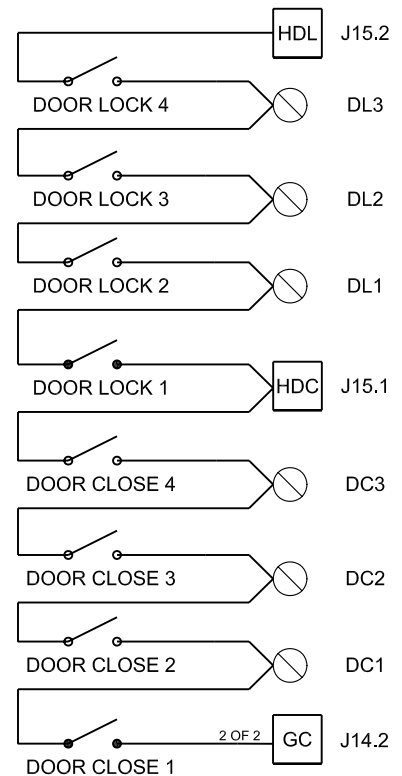
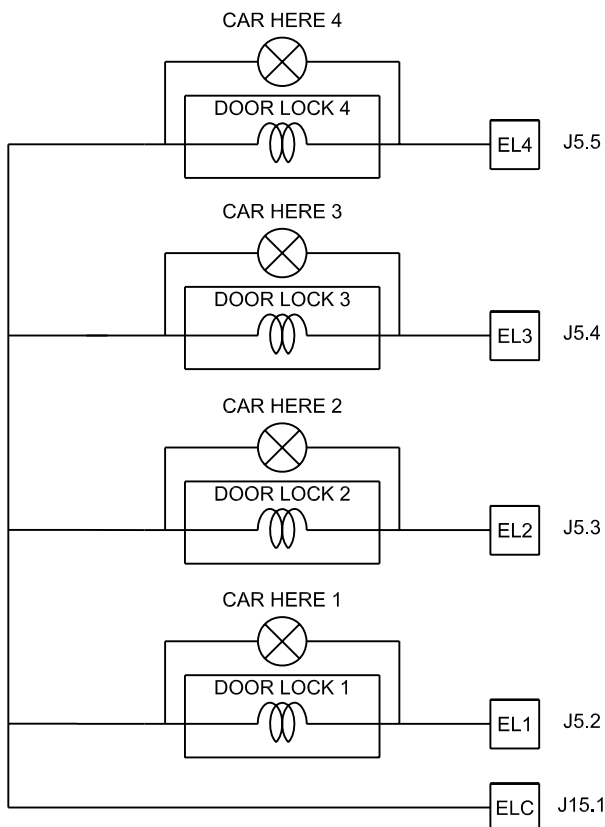
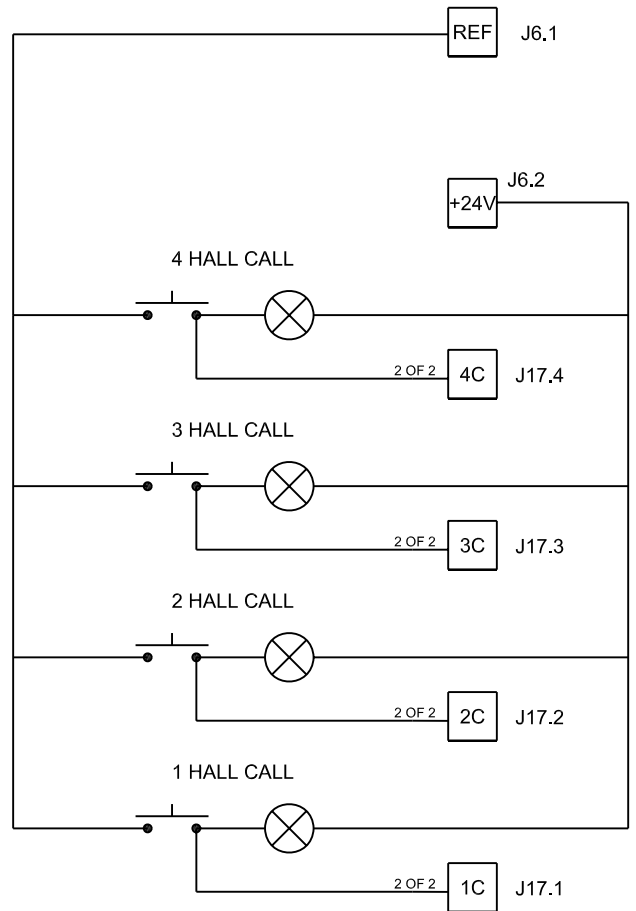
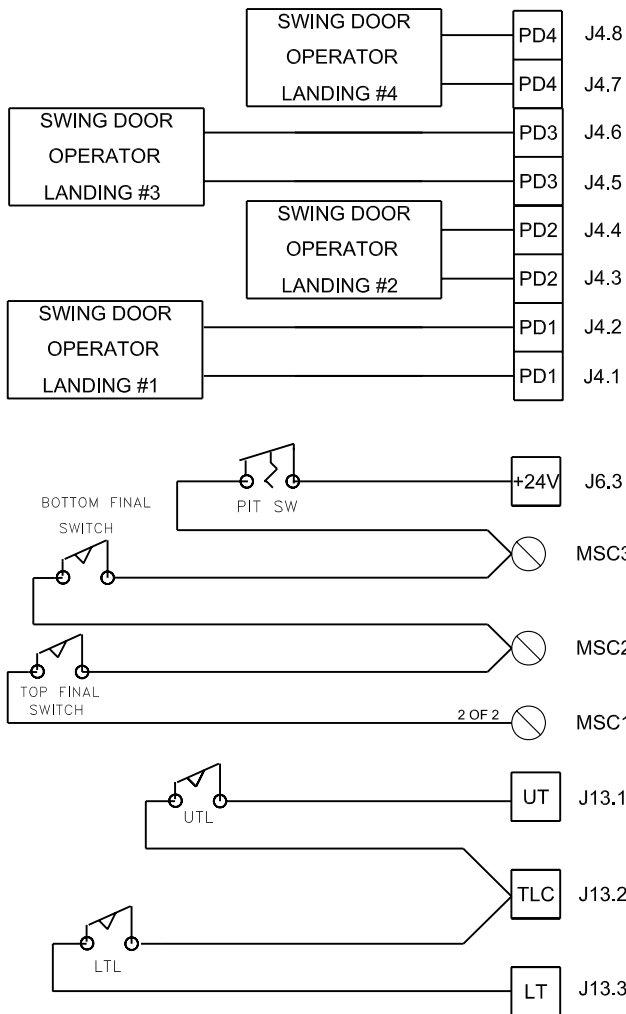
AL1 = LOGIC BOARD TERMINAL

⊗ = CONTROLLER SCREW TERMINAL

⊙ = EMI CAR TOP BOX TERMINAL

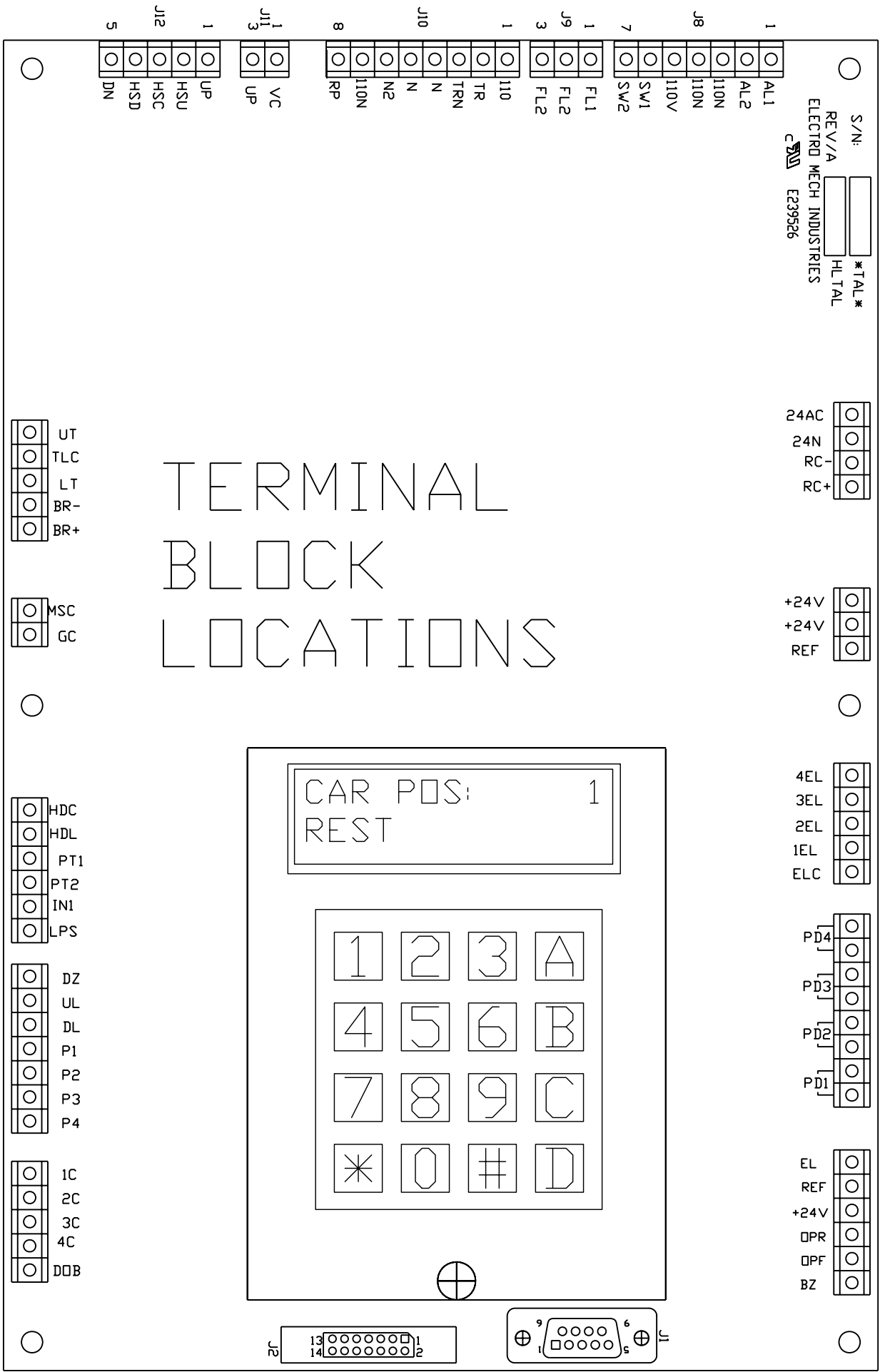
J10.2 = TERMINAL BLOCK 10, TERMINAL 2

Electro-Mech Industries		FILE NAME	HOOK UP - FLD
A	Residential controller CAR HOOK UP		Rev.:
Modification date: 7-1-09		SHEET	3 OF 4



J10.2 = TERMINAL BLOCK 10, TERMINAL 2

Electro-Mech Industries		FILE NAME	HOOK UP - FLD
A	Residential controller HOISTWAY		Rev.: 1
Modification date:	8-30-05	SHEET	4 OF 4



S/N: [] *TAL*
 REV/A [] HL TAL
 ELECTRO MECH INDUSTRIES
 E239526

CAR POS: 1
 REST

