

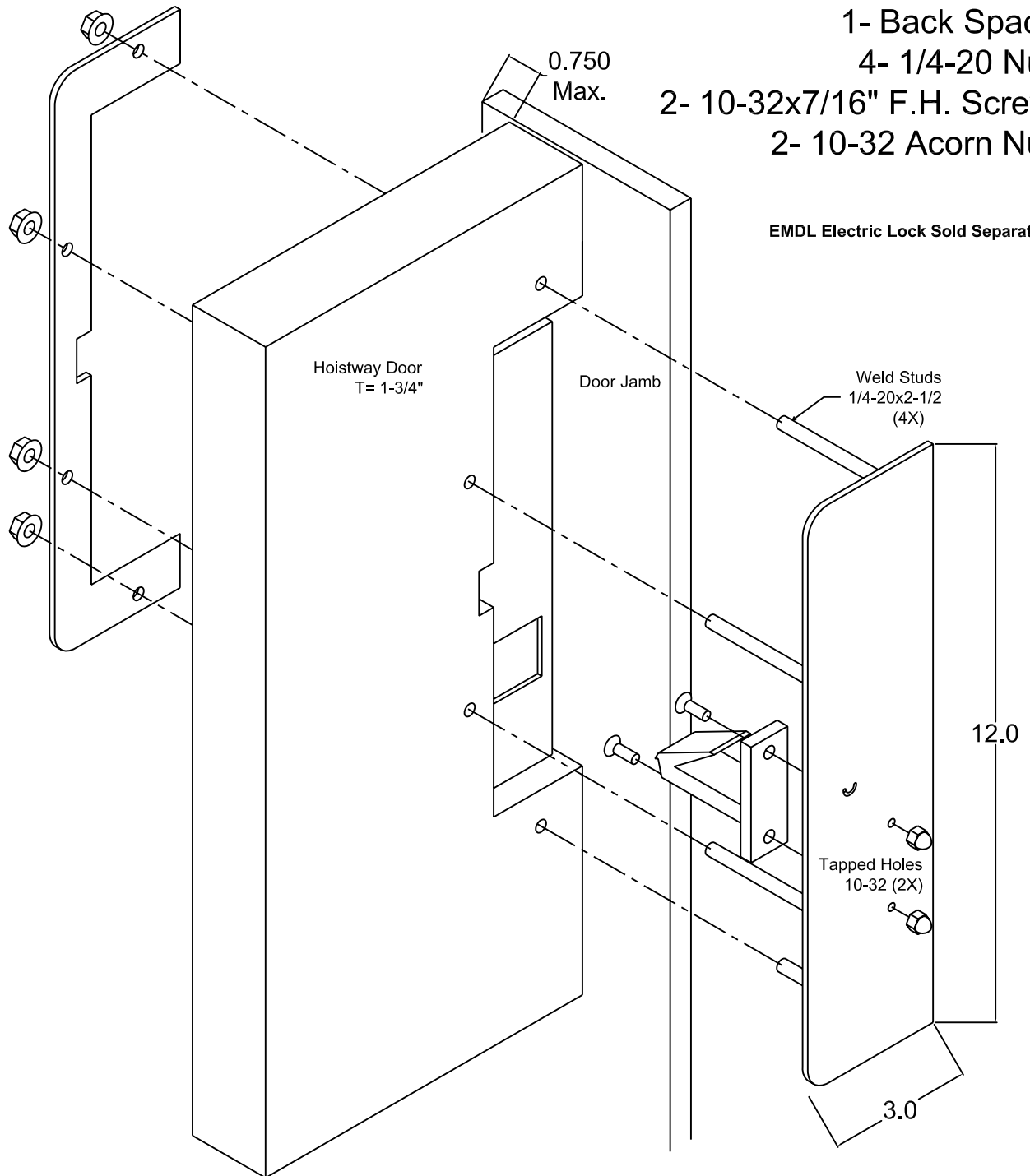
3/4" Set Back Plate Kit

Porta: EMDL R.H. Door Locks

Kit Contains:

- 1- Plate
- 1- Back Spacer
- 4- 1/4-20 Nuts
- 2- 10-32x7/16" F.H. Screws
- 2- 10-32 Acorn Nuts

EMDL Electric Lock Sold Separately



Note: If Hoistway Door is less than 1-3/4" thick additional 1/8" spacers are required on Hall side of plate. Additional spacers are sold separately. Part Number: EMDL750SP